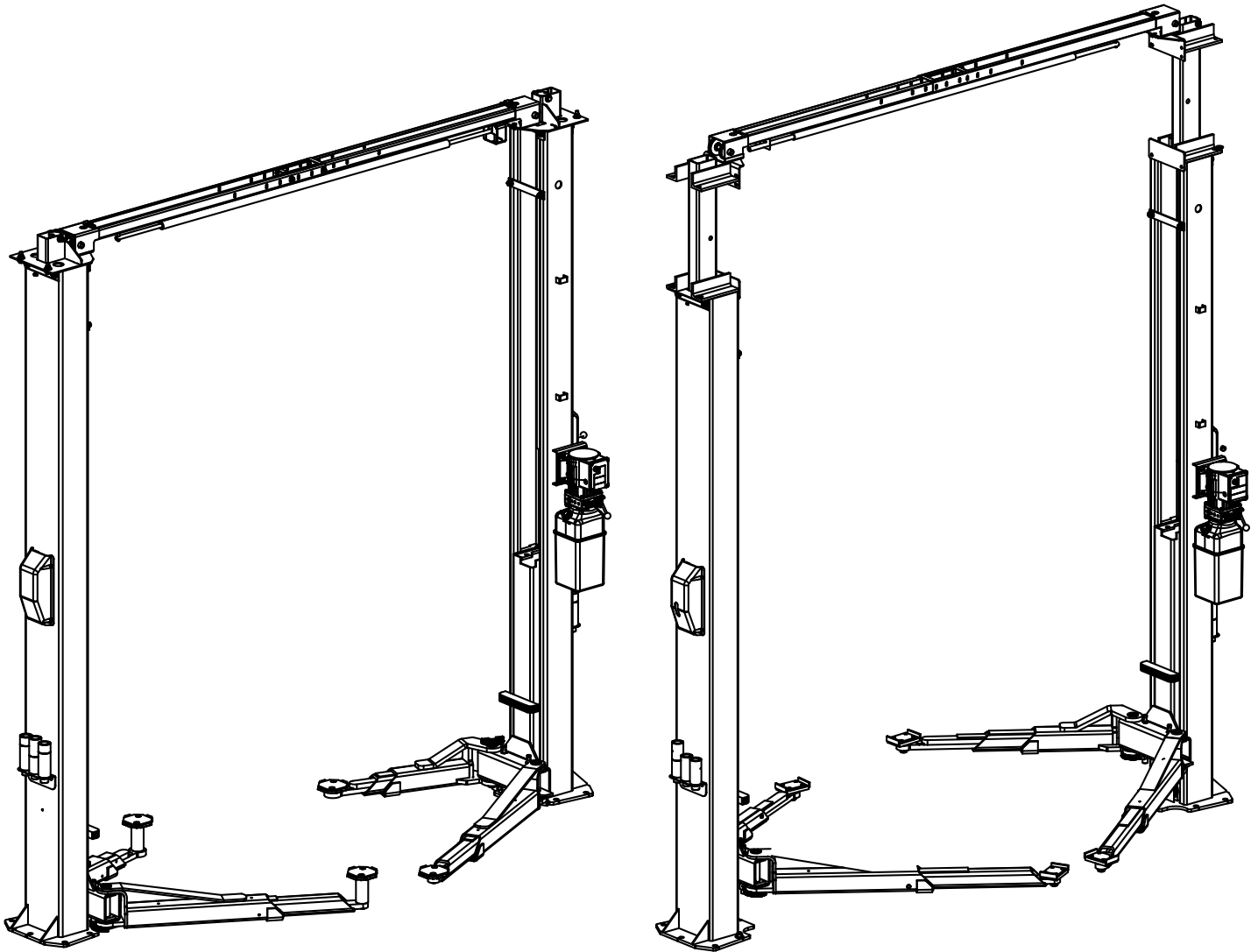


# Parts Breakdown

Capacity 10,000 lbs. (4,536 kg.)

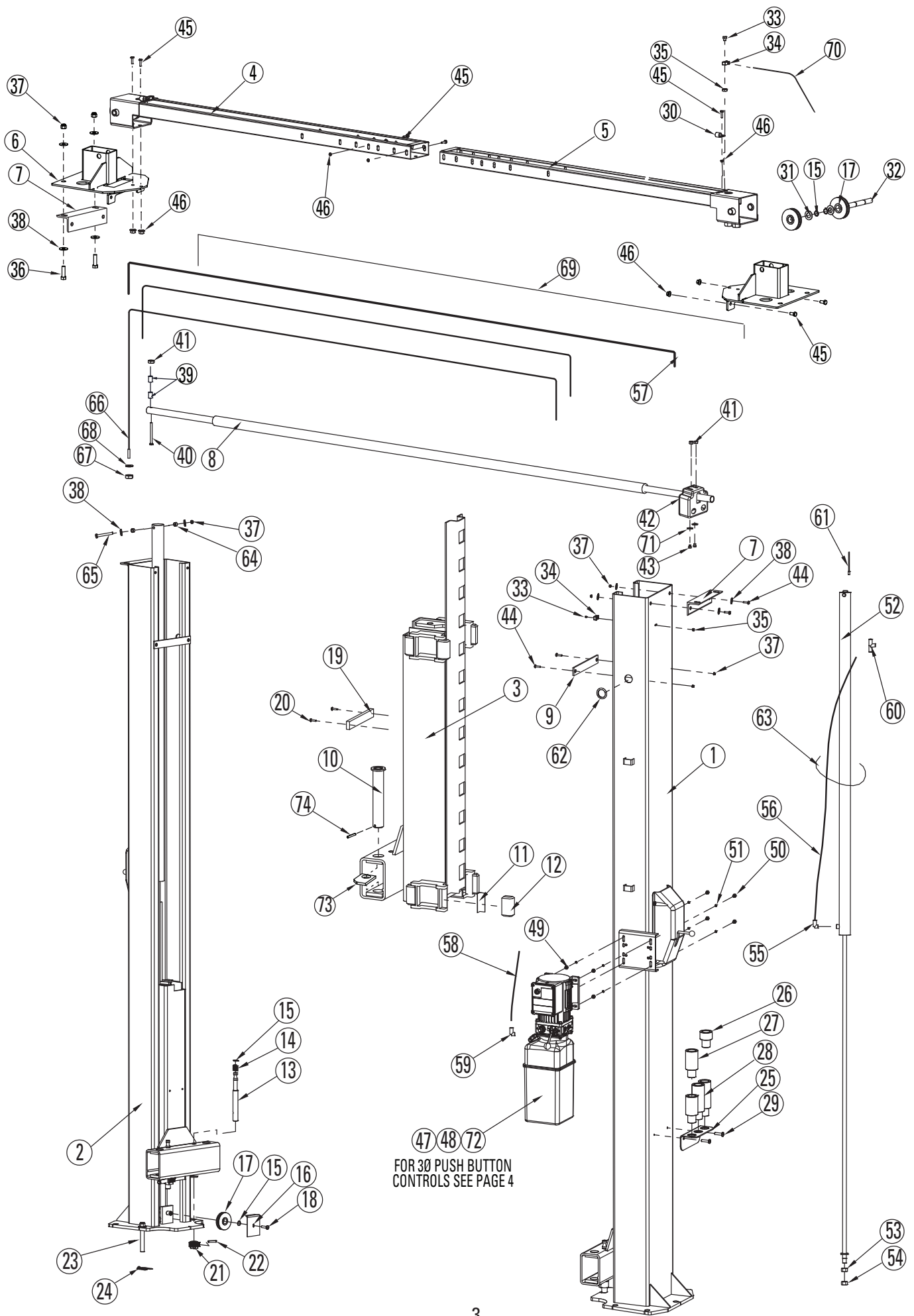
(400 Series Lift)



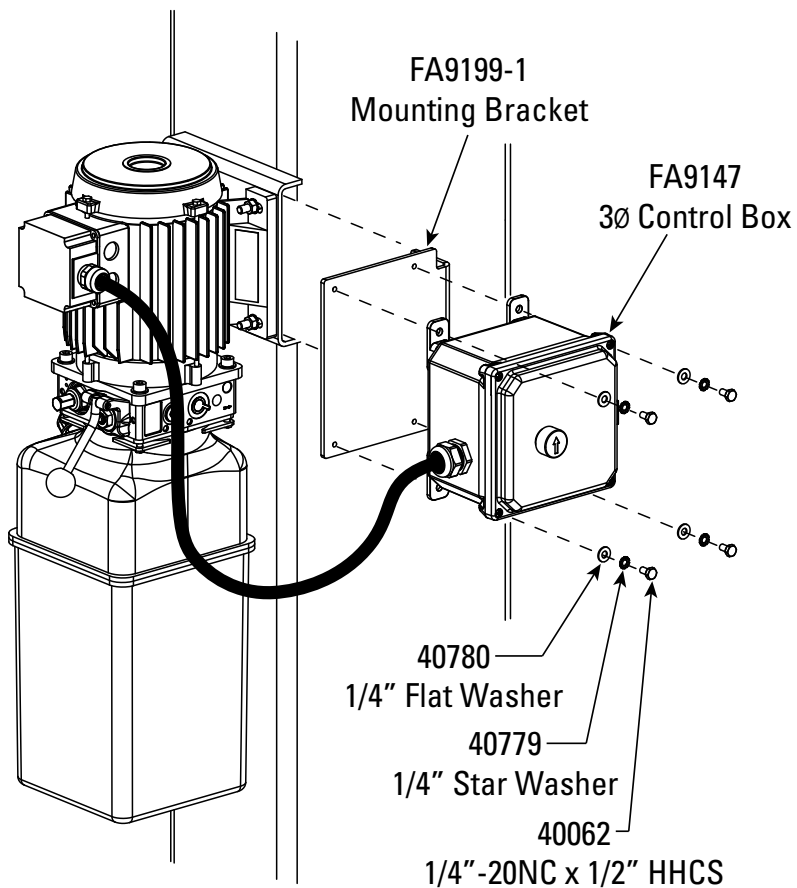
LP60026

ITEM	PART#	DESCRIPTION
1	TP10-1000	R.H. Column Weldment
2	TP10-1100	L.H. Column Weldment
3	TP10-2000	Carriage Weldment
4	N480-1	L.H. Overhead
5	N481-1	R.H. Overhead
6		Top Bracket
	TP10-3100	Top Bracket Weldment
	TP10-7000	TOP BRACKET WELD EXTENDED
7	TP10-1003	Top Bracket Connection
8	N415	Switch Bar Assembly
9	TPB10-2002	Column Reinforce
10	995430 (DP9-5300)	Arm Pin
11	30400-5025G	Slider Block Shim (As Required)
12	TP10-6003	Slider Block
13	DP9-3004	Actuator Pin
14	143537	Press Spring
15	41411	Truarc #5304-75 Klipring For 3/4" Shaft
16	N119-1	Sheave Cover
17	N377	Sheave
18	40063	1/4"-20NC*3/8"Lg. PHMS Plated
19	PV-3005	Rubber Bumper (Accessory)
20	B20-8*35	M8*35 Socket Bolt (Accessory)
21	N2121	PAWL
22	14427	Spring Pin 1/4"*1-1/2"Lg.
23	FJ7380	Anchor Bolt
24	30400-1025	U SHIM
25	FJ6145Y	ADAPTER BRACKET
26	1070922	1.75" EXT.Adapter
27	1070923	3.5" EXT.Adapter
28	1070924	5" EXT.Adapter
29	40227	5/16"-18NC*3/8"Lg.PHMS
30	G3T-8005 (N3126)	HOSE CLAMP
31	41388	WASHER
32	G3T-4001 (FJ7444-8)	SHEAVE SHAFT
33	40108	1/4"-20NC*1"Lg.HHCS
34	N619	LATCH CABLE BRACKET
35	40641	1/4"-20NC Flanged Lock Nut
36	912671	1/2"-13*1-3/4"HHCS(G.5 )
37	40707	1/2"-13NYLON LOCK NUT
38	H4D-2000-10 (40920)	1/2" FLAT WASHER
39	G3T-4003 (FJ7871)	LIMITED BAR SPACER
40	40114	1/4"-20NC*2 3/4"Lg.HHCS

41	911403 (40642)	1/4"-20NC Nylon Lock Nut
42	N413	OVERHEAD SWITCH
43	40099	1/4"-20NC*3/4"Lg.HHCS
44	40286	1/2"-13*1-1/4"HHCS(G.5 )
45	41536	M10-1.5*20Lg. HHCS
46	41655	M10-1.5 Flanged Lock Nut
47		POWER UNIT
	P3622 ALT. P3397	1 Phase POWER UNIT
	P3414	3 Phase POWER UNIT
48	FA9147	3 Phase Switch Box
49	40670	5/16"-18NC HEX NUT
50	40271	5/16"-18NC*1-1/2 HHCS
51	40854	5/16" External Tooth Lockwasher
52		Cylinder
	992317	STD. Rise Cylinder
	YG32-9100G3	EXT. Rise Cylinder
53	913602 (40760)	3/4"-16 HEX NUT(G.5 )
54	913611 (40759)	3/4"-16 HEX JAM NUT(G.5 )
55	992402 (SW-003)	3/8 JIC to 3/8 NPT Elbow
56	2WB-24G	Mainside Hose STD.
	DP10-9801-1	Mainside Hose EXT.
57		Overhead Hose
	NDP10-9801-1G	Overhead Hose STD.
	NDP10-9801-2G	Overhead Hose EXT.
58	9992101 (2WB-26)	Power Unit Hose
59	992410 (SW-002)	9/16 O-Ring to 3/8 JIC Elbow
60	992502 (SW-001)	3/8 JIC Tee
61		Air Line Kit
	994202	Air Line Kit STD.
	994214	Air Line Kit EXT.
62	DP9-1030	HOSE RUBBER GUIDE
63	991082	Wire Tie
64	DP9-7005	CYLINDER SPACER
65	912781 (40334)	1/2"-13*4-1/2"HHCS(G.8 )
66		EQUALIZER CABLE
	TP10-6001	EQUALIZER CABLE(STD.)
	TP10-6002	EQUALIZER CABLE(EXT.)
67	913303 (40743)	NYLON LOCK NUT 5/8"-11
68	913206 (40970)	FLAT WASHER Ø16
69	FJ7600	LATCH RELEASE CABLE
70	N618	LATCH CABLE GUIDE
71	B41-6 (40795)	1/4" FLAT WASHER
72	FA9199	3 Phase Control Box Mnt. Bracket Kit
73	1070120G	Arm Stop
74	B51-6X20	Spring Pin



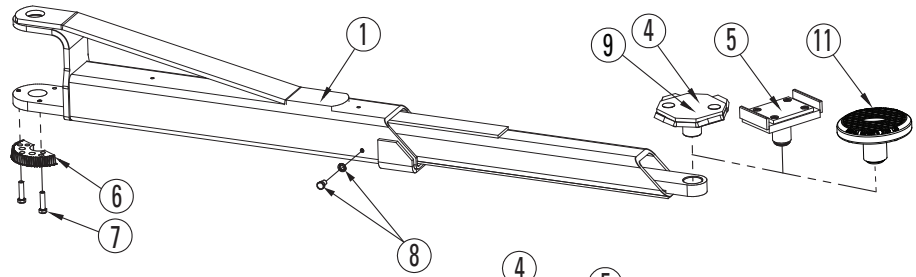
3Ø POWER UNIT



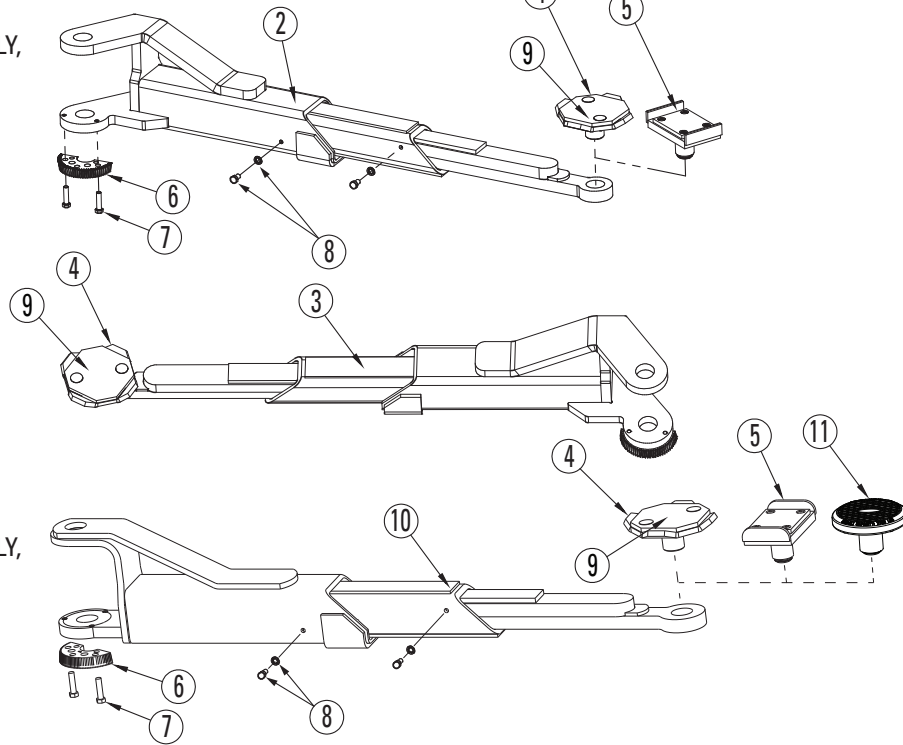
\*FA9147 POWER UNIT KIT

\*FA9199 MOUNTING BRACKET KIT

REAR ARM ASSEMBLY

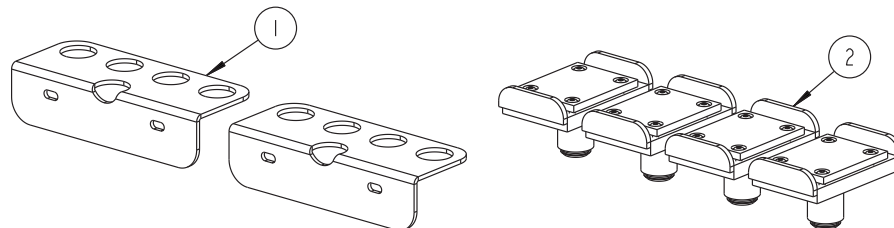


FRONT ARM ASSEMBLY,  
OFFSET



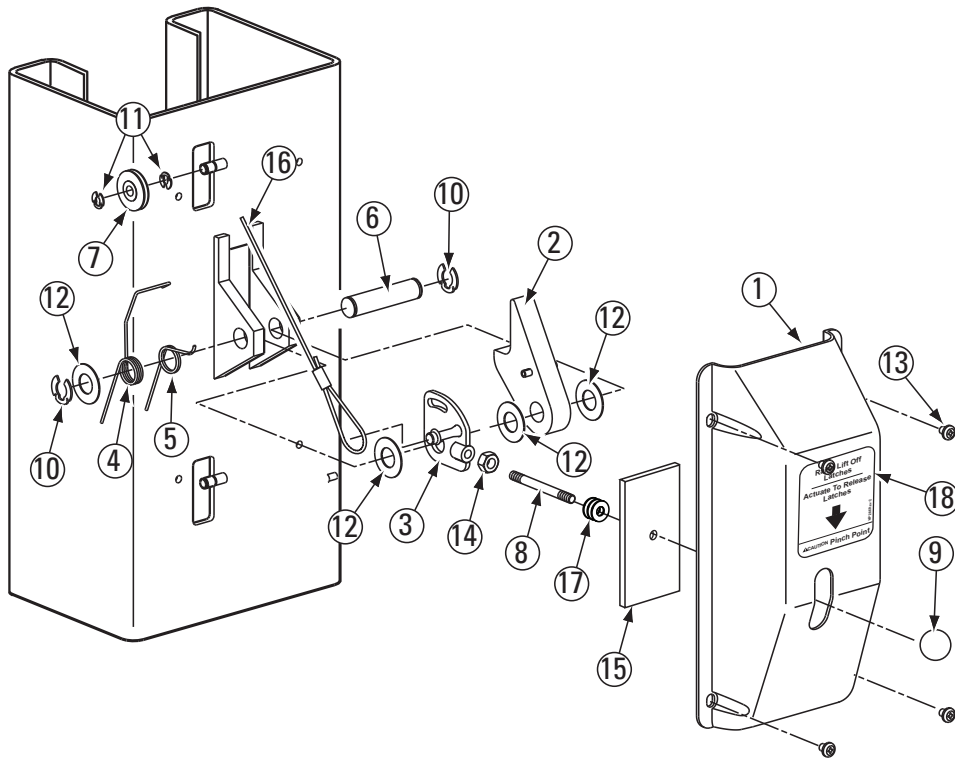
FRONT ARM ASSEMBLY,  
STRAIGHT

ITEM	PART #	DESCRIPTION
1	TP10-4001	REAR ARM ASSEMBLY
2	TP10-5001	LEFT FRONT ARM ASSEMBLY
3	TP10-5401	RIGHT FRONT ARM ASSEMBLY
4	TPB10-3000	ADAPTER ASSEMBLY
5	T100285	TRUCK ADAPTER ASS. ACCESSORY (SET OF 4)
6	N2122	GEAR
7	912061	3/8"-16NC*1-1/2" HHCS
8	N219	STOP BOLT ASSEMBLY
9	994105	RUBBER PAD KIT (SET 4)
10	TPB10-4000	FRONT ARM ASSEMBLY
11	FJ6245Y	SCREW UP ADAPTER



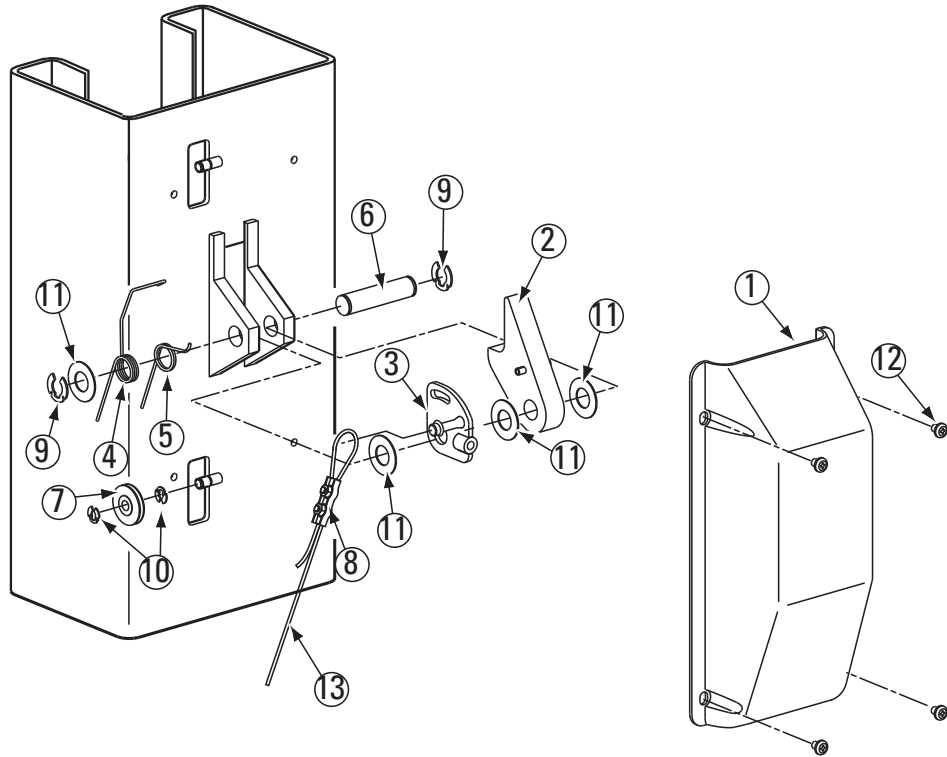
ITEM	PART #	DESCRIPTION
1	FJ6232	ADAPTER RACK
2	T110564	SL210 TRUCK ADAPTER ASS'Y, 1000 SERIES

## Locking Latch Detail (Right Column)



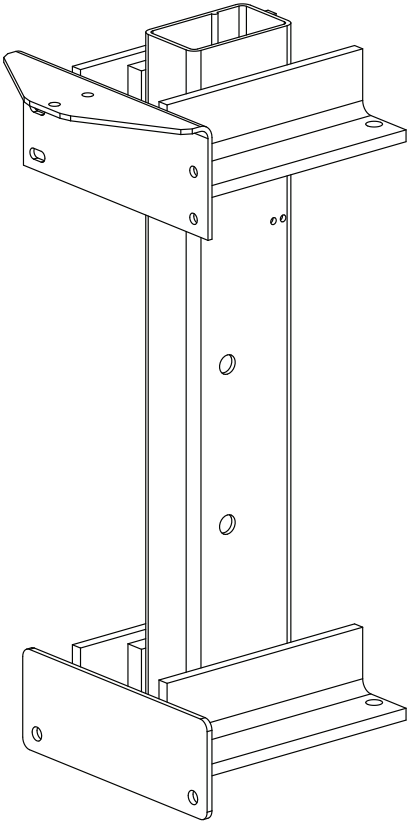
ITEM	PART#	DESCRIPTION
1	TP6-5003	Control Side Cover
2	TP10-1010	Locking Latch Dog
3	FJ7594-2	Control Plate
4	FJ7566-10	Spring
5	FJ7382-9	Spring
6	FJ7382-34	Latch Shaft
7	FJ7322	Locking Latch Sheave
8	FJ7382-18	Handle
9	FC134-91	Ball Handle
10	41411	Truarc Klipring #5304-75 for 3/4" Shaft
11	41410	Truarc Klipring #5304-37 for 3/8" Shaft
12	41388	1-1/2" O.D. x 3/4" I.D. x .045" Mach. Bush.
13	40227	5/16"-18NC x 3/8" Lg. PHMS
14	40658	3/8" - 16NC Hex Jam Nut
15	N617	Slot Cover
16	FJ7600	Locking Latch Cable
17	40820	3/8" Flat Washer
18	NP266	Latch Release Decal

# Locking Latch Detail (Left Column)

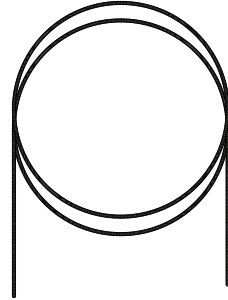


ITEM	PART#	DESCRIPTION
1	TP6-5004	Latch Cover
2	TP10-1010	Locking Latch Dog
3	FJ7594-2	Control Plate
4	FJ7566-10	Spring
5	FJ7382-9	Spring
6	FJ7382-34	Latch Shaft
7	FJ7322	Locking Latch Sheave
8	N63-1	Latch Cable Clamp
9	41411	Truarc Klipring #5304-75 for 3/4" Shaft
10	41410	Truarc Klipring #5304-37 for 3/8" Shaft
11	41388	1-1/2" O.D. x 3/4" I.D. x .045" Mach. Bush.
12	40227	5/16"-18NC x 3/8" Lg. PHMS
13	FJ7600	Locking Latch Cable

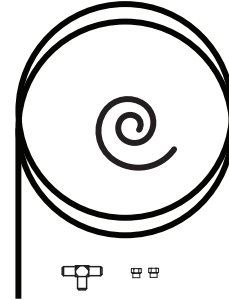
# T100295 Extended Height Kit



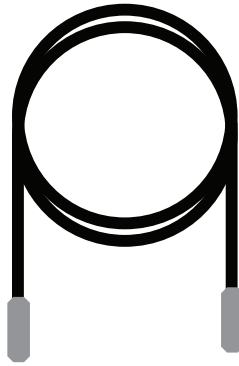
TP10-7100  
Top Bracket Weld (2)



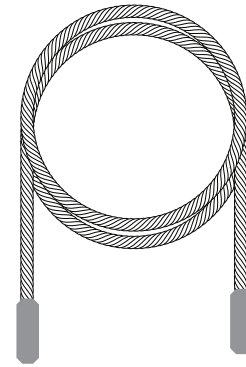
FJ7600  
Locking Latch Cable (1)



9942103  
Extended Height  
Return Line Kit (1)



NDP10-9801-2G  
Offside Hose (1)



TP10-07  
Equalizer Cable Kit (1)



## NOTES

## NOTES

## NOTES

**Vehicle Service Group<sup>SM</sup>**  
2700 Lanier Drive  
Madison, IN 47250, USA  
1-800-640-5438  
[www.vsgdover.com](http://www.vsgdover.com)



© **Vehicle Service Group<sup>SM</sup>**  
All Rights Reserved. Unless otherwise  
indicated, **Vehicle Service Group<sup>SM</sup>**  
and all other trademarks are property  
of Dover Corporation and its affiliates.